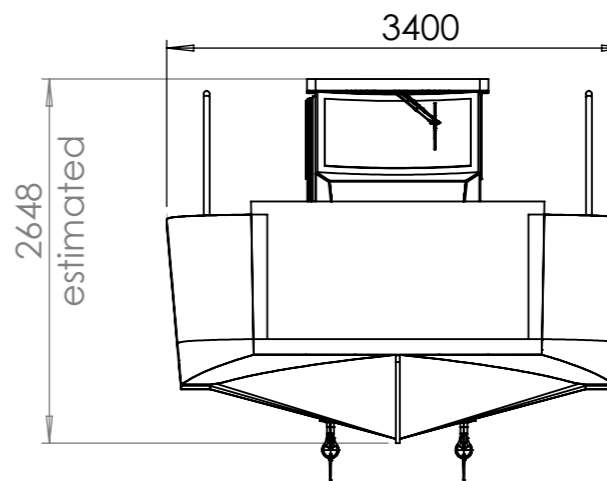
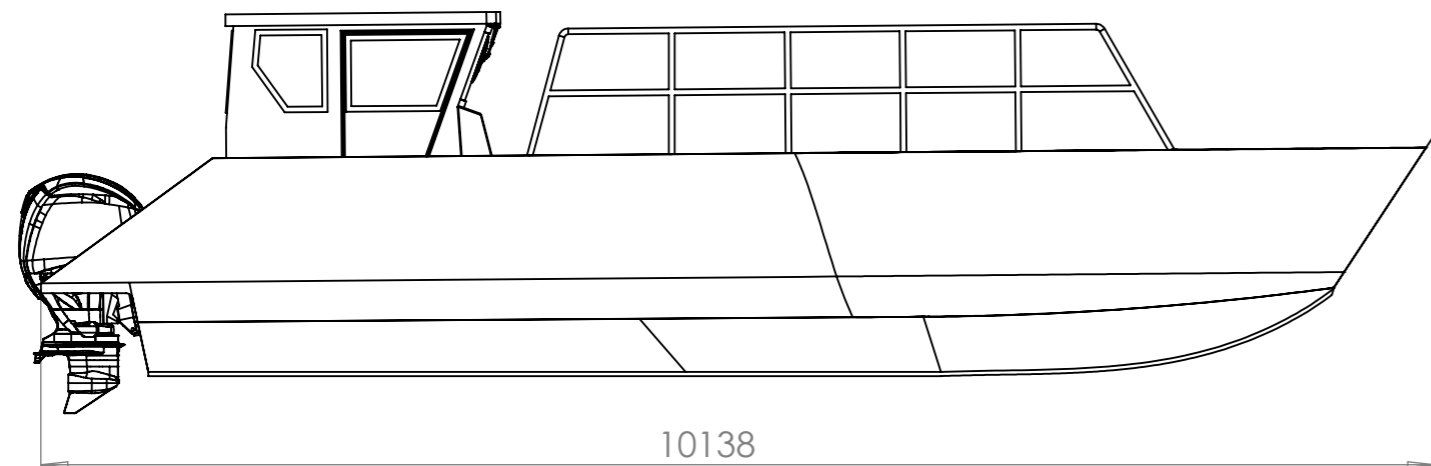


8 7 6 5 4 3 2 1

F

F

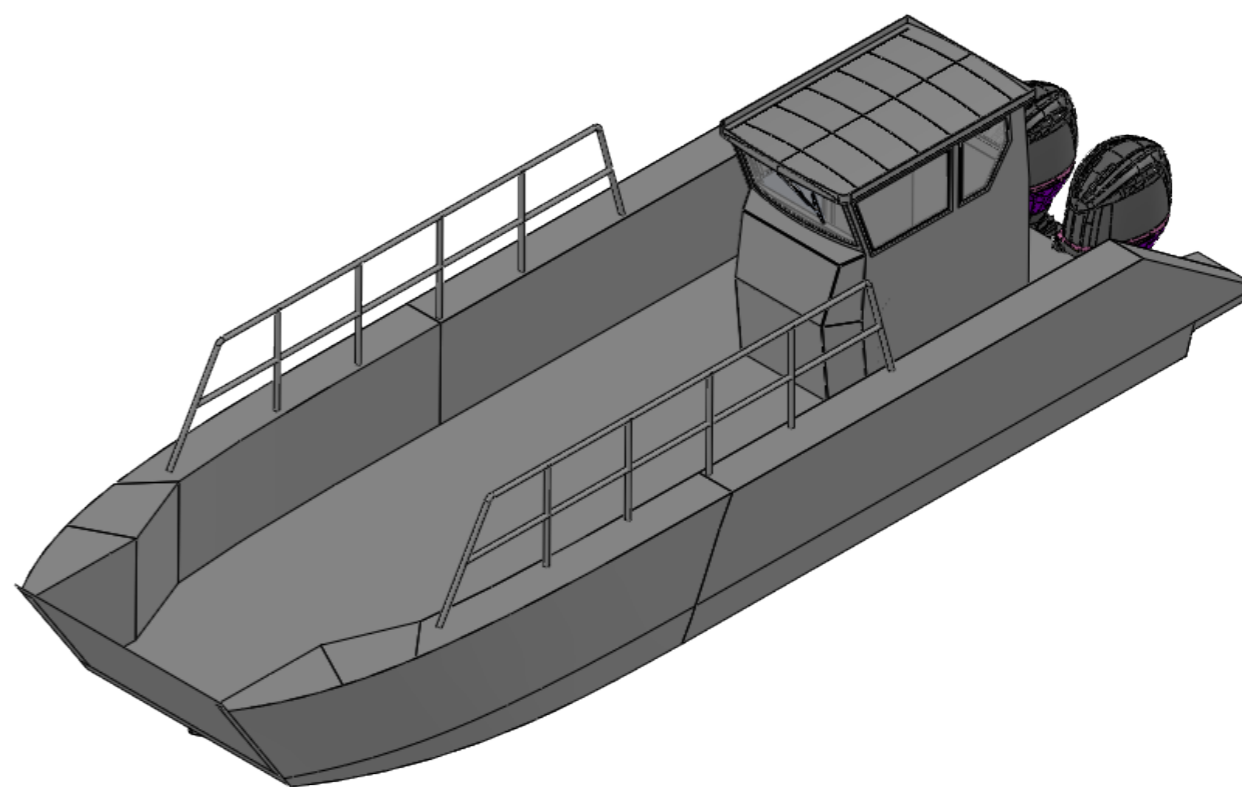
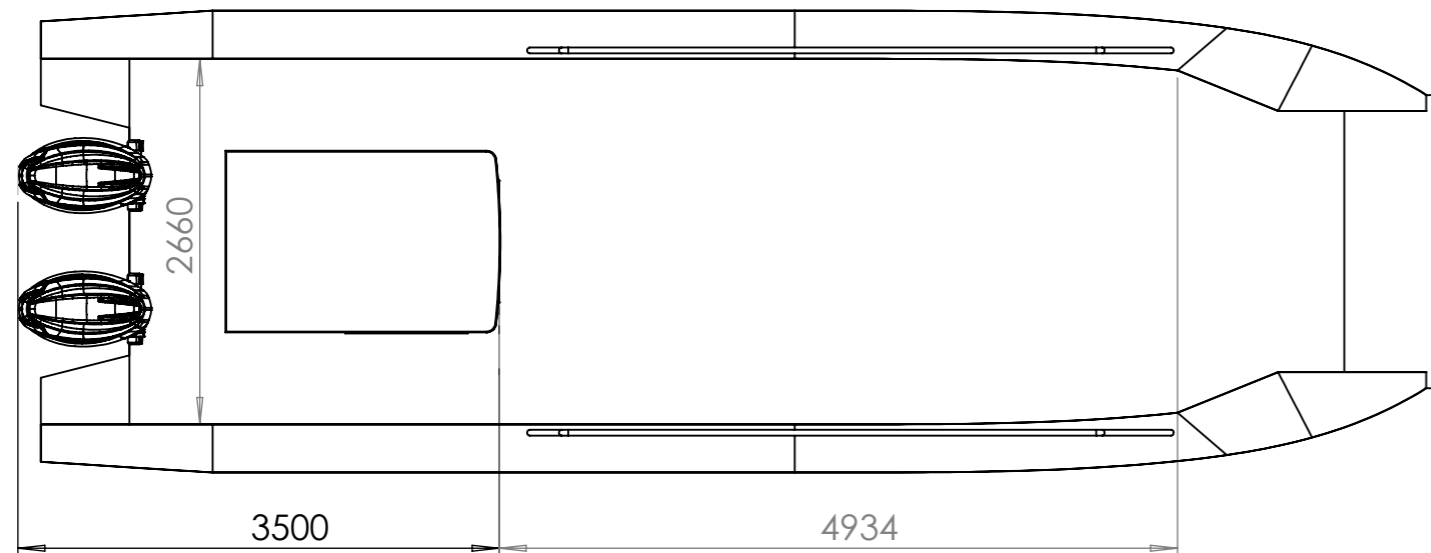


E

E

D

D



C

C


B

B

A

A

8 7 6 5 4 3 2 1

UNLESS OTHERWISE SPECIFIED: DIMENSIONS ARE IN MILLIMETERS SURFACE FINISH: TOLERANCES: LINEAR: ANGULAR:			FINISH:		DEBURR AND BREAK SHARP EDGES		DO NOT SCALE DRAWING		REVISION 06 10.01.2026				
							 TSBOATS BOATS FOR WORKING						
							TITLE: TS-10000 Landing craft						
							MATERIAL:		DWG NO.			A3	
							WEIGHT:		SCALE:1:100			SHEET 1 OF 1	
DRAWN		NAME		SIGNATURE		DATE							
CHK'D													
APPV'D													
MFG													
Q.A													